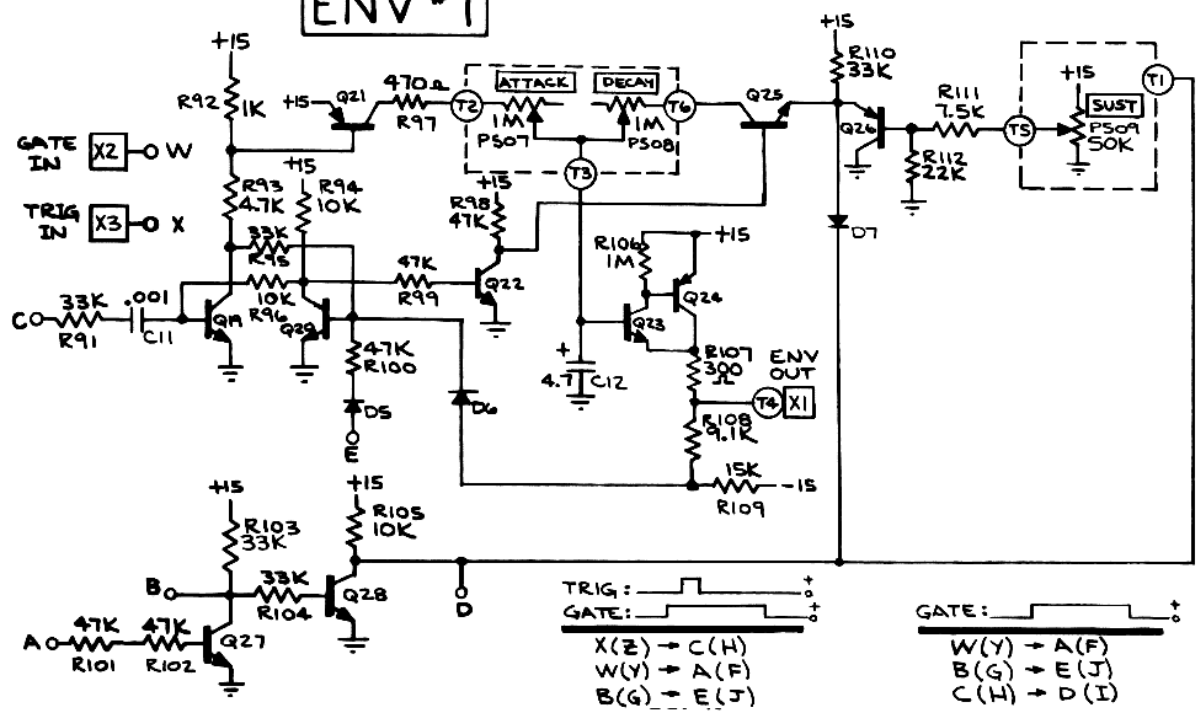
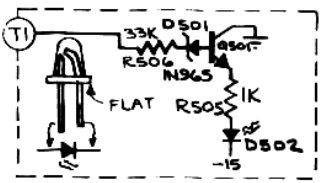
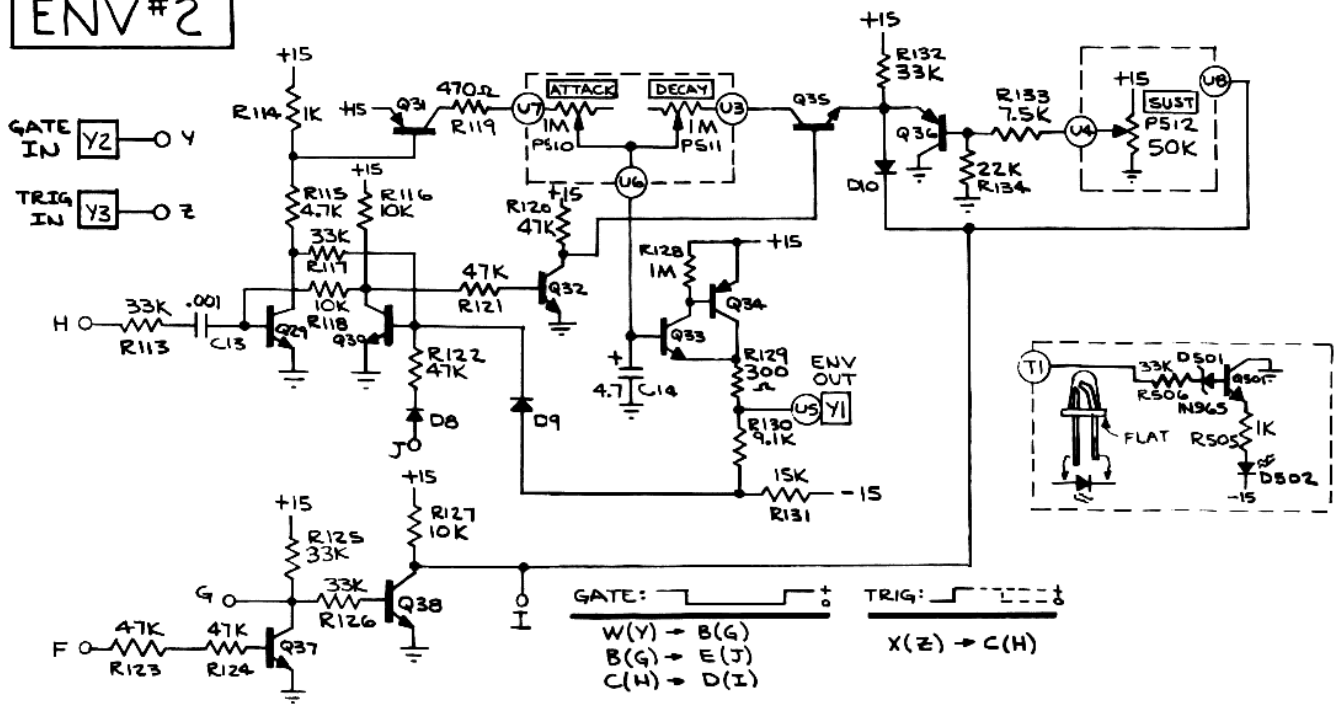
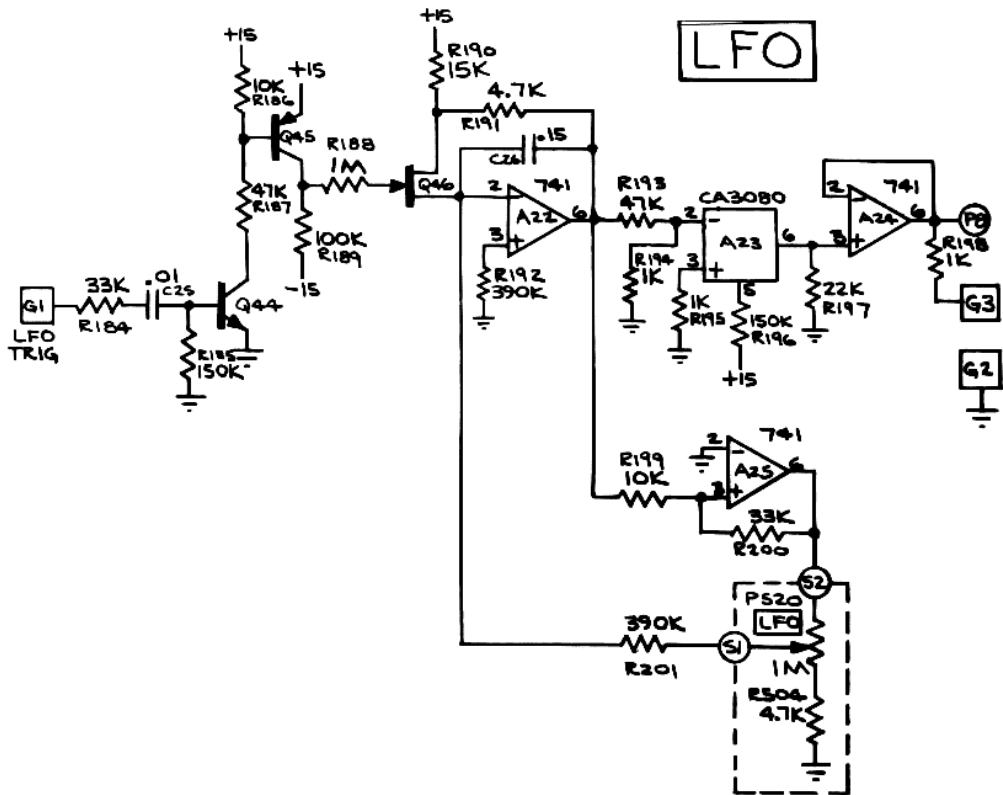


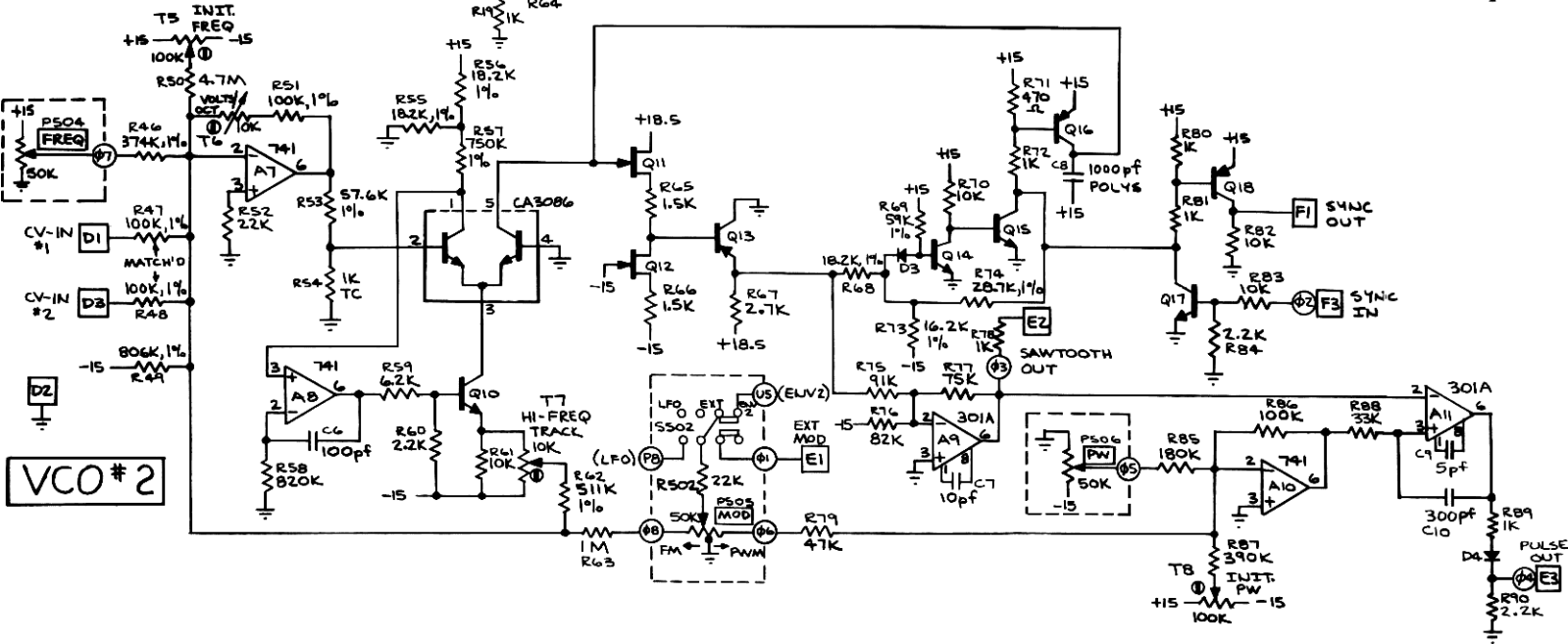
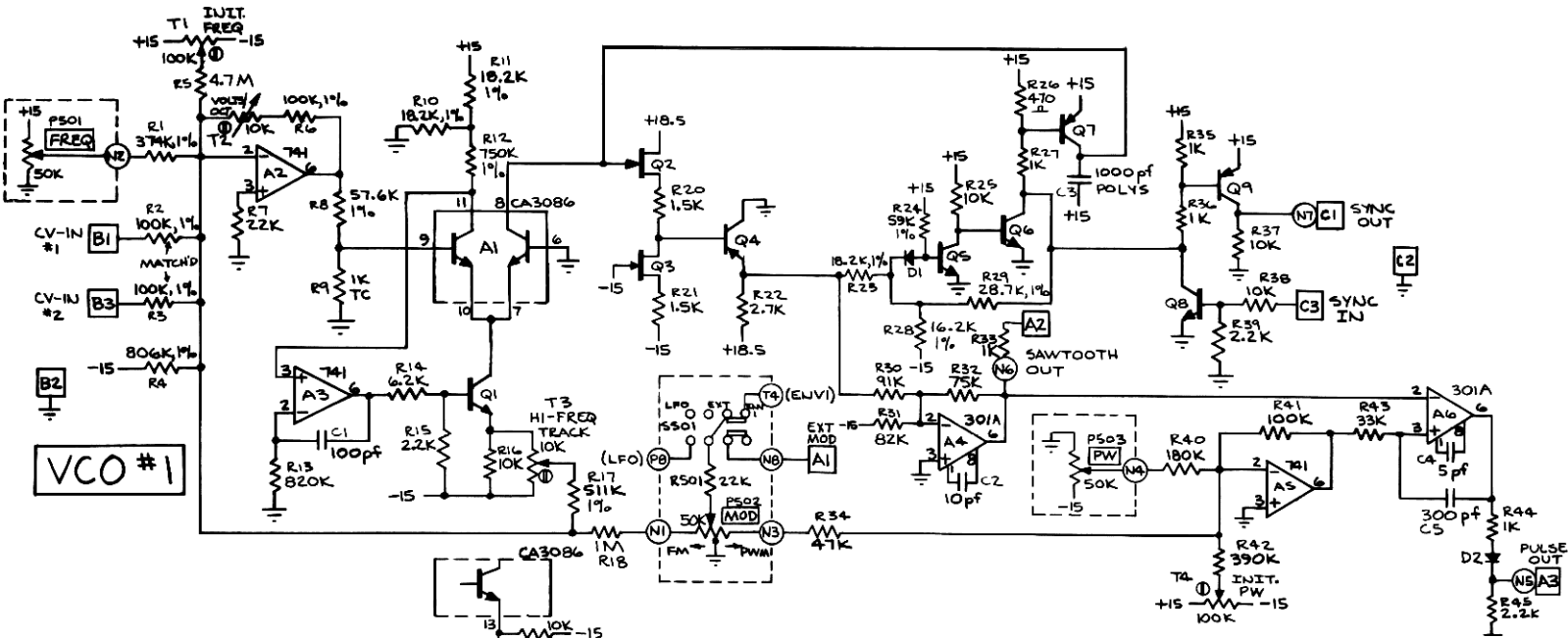
ENV #1

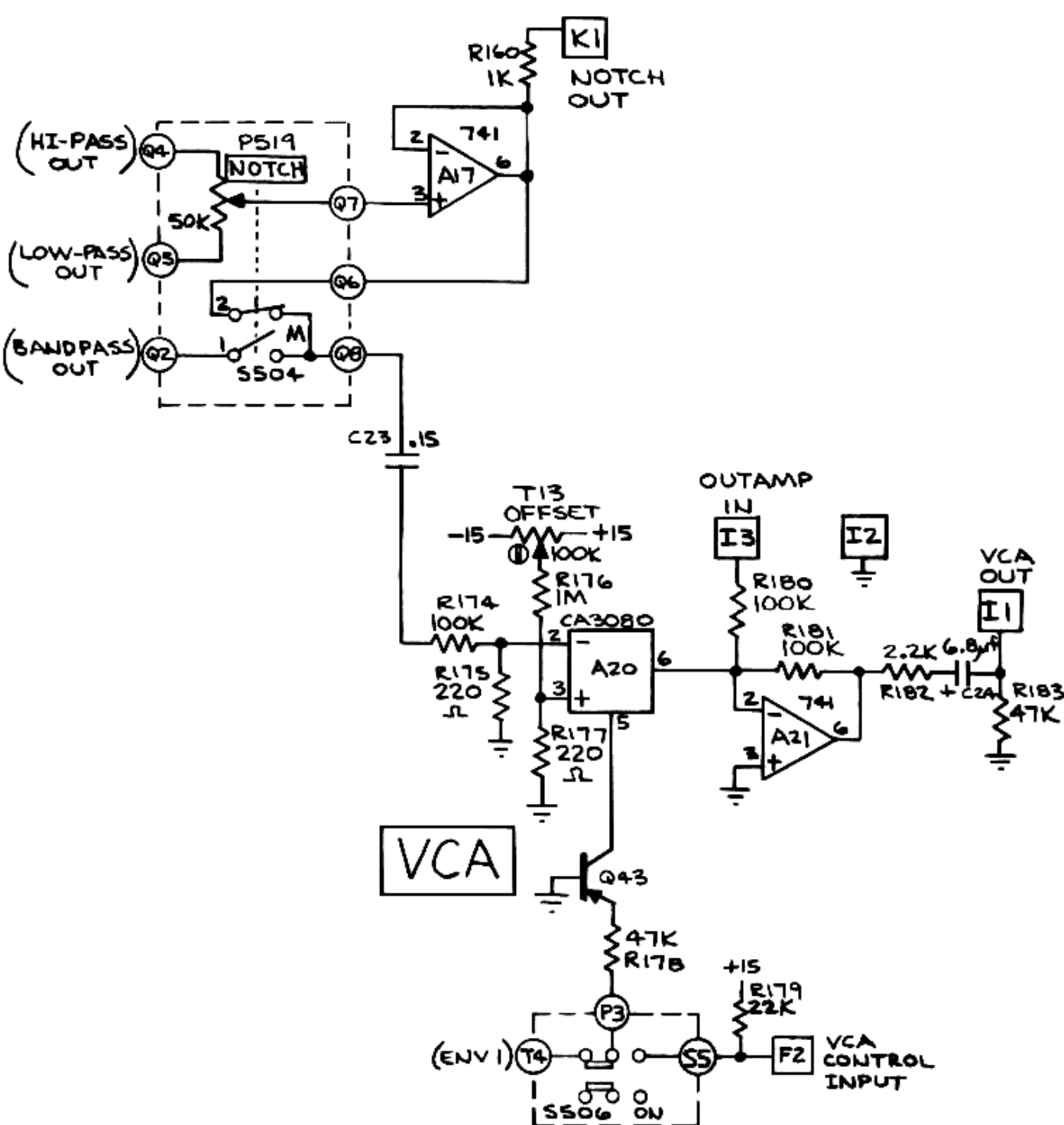


ENV #2







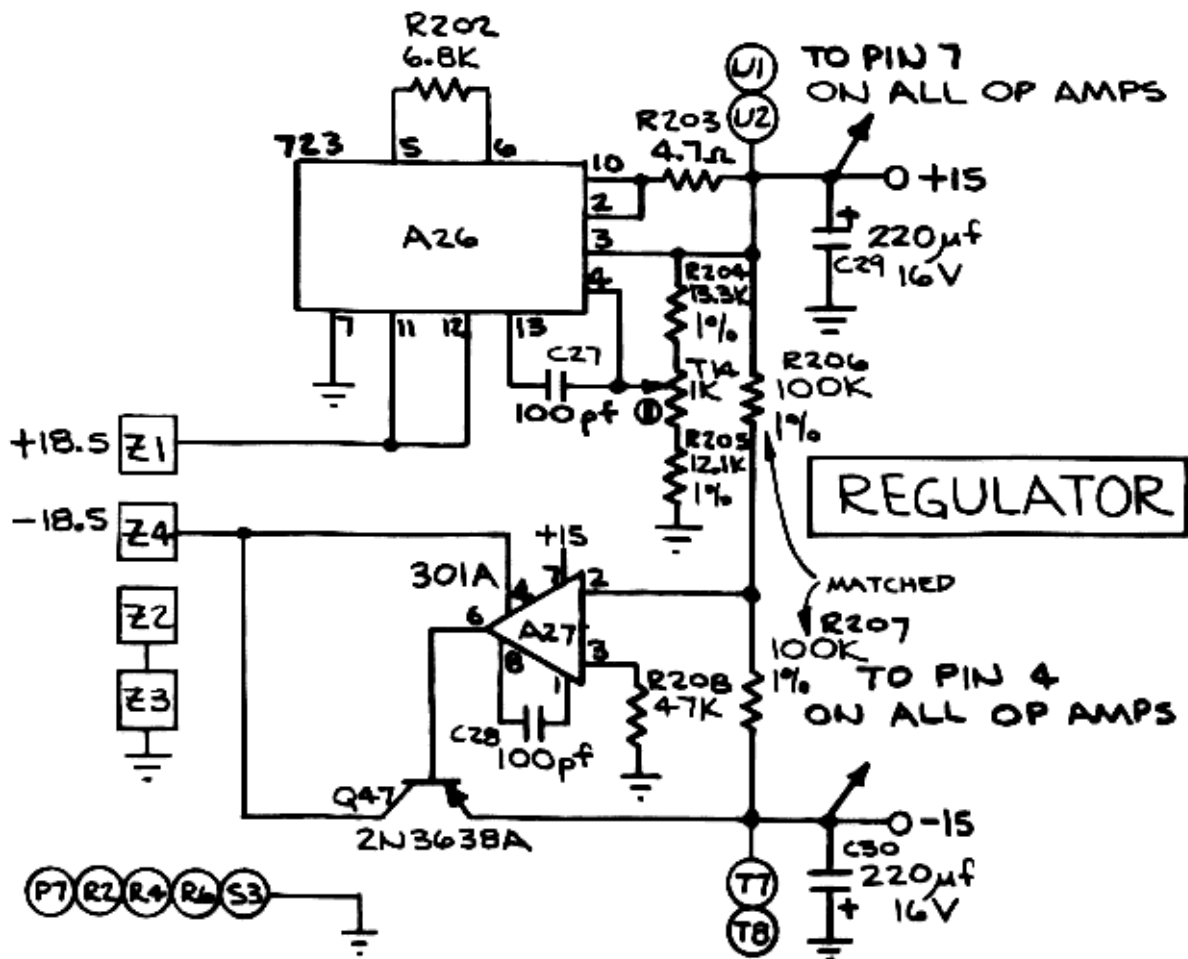


NOTES:

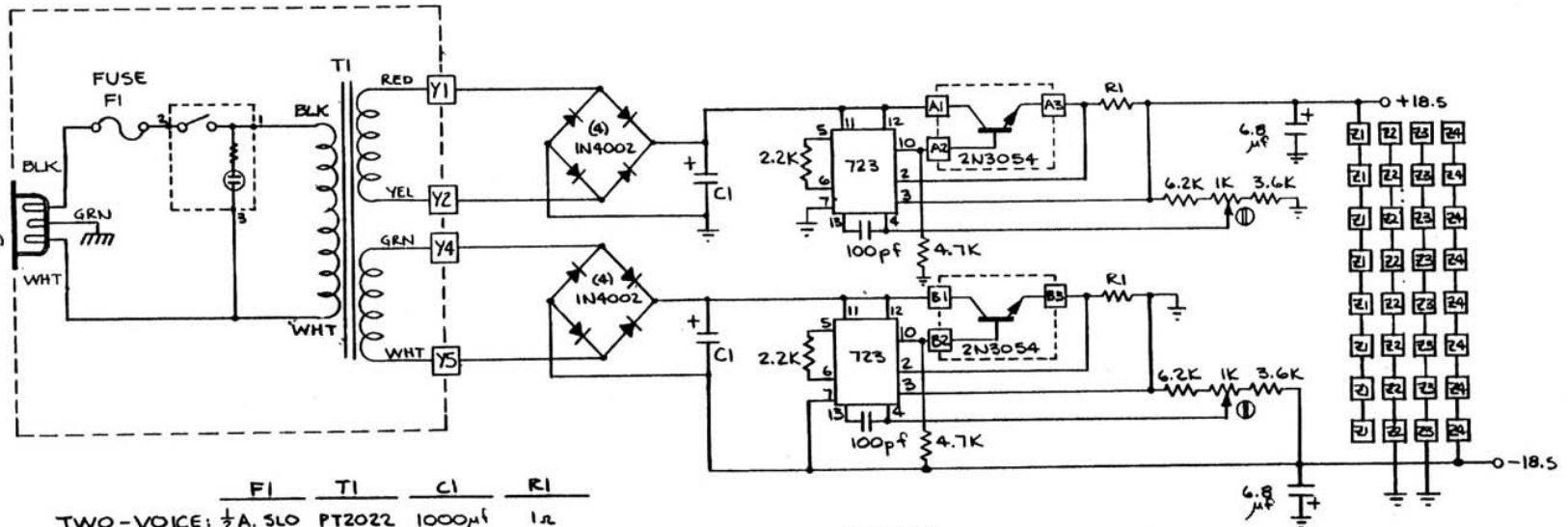
(UNLESS SPECIFIED OTHERWISE)

1. ALL RESISTORS ARE $\frac{1}{4}$ W, 5%
2. ALL CAPACITORS IN μ f.
3. ALL NPN TRANSISTORS - 2N5172
4. ALL PNP TRANSISTORS - 2N3905
5. ALL DIODES - 1N4148
6. ALL FET'S - 2N4302

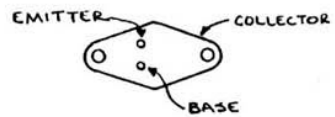
<u>LAST</u>	<u>LAST (POT 8D)</u>
R208	R506
T14	P520
C30	
D12	D502
Q47	Q501
A27	S506



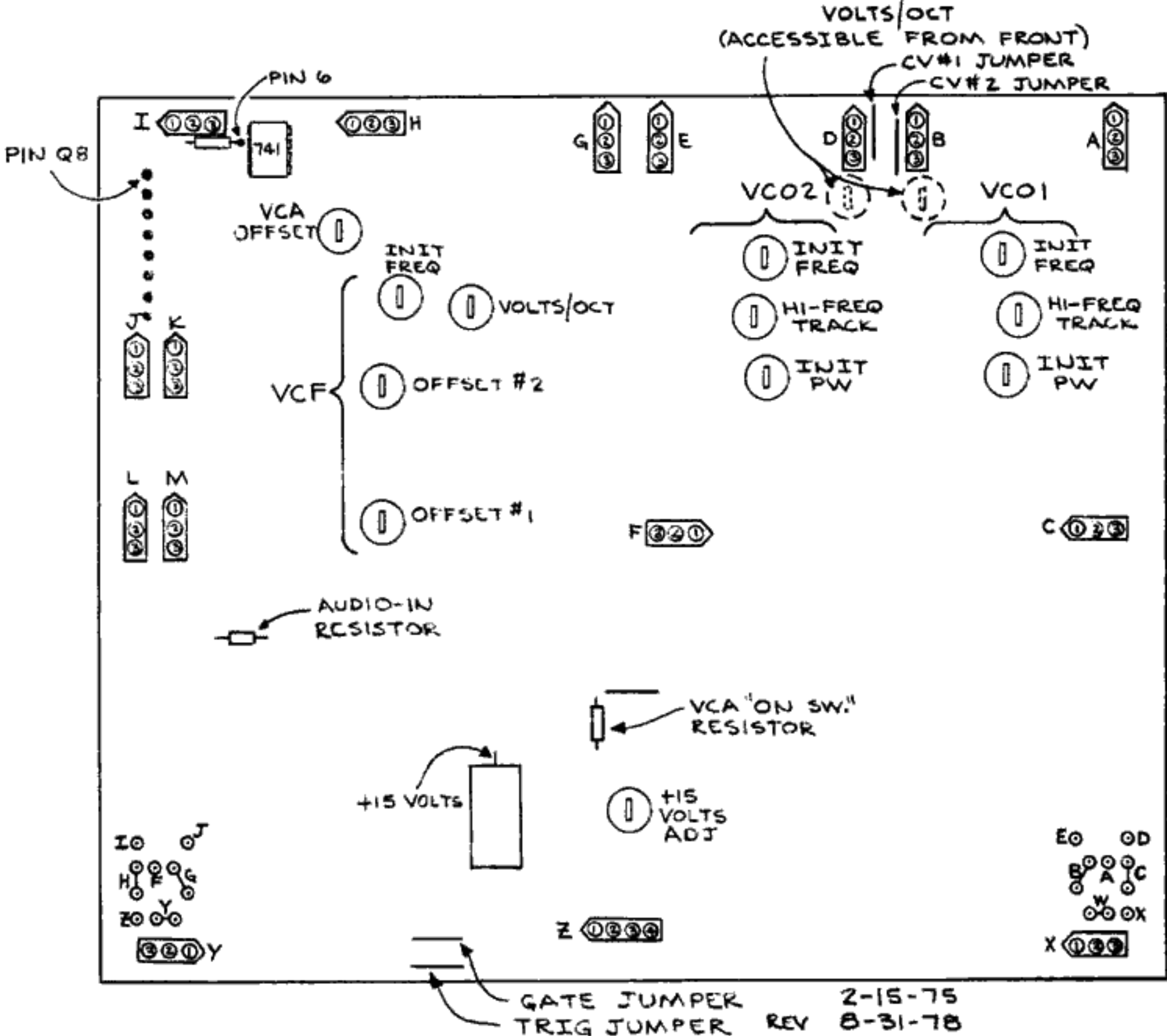
105-125 (BLK)
VAC (GRN)
50-60 HZ (WHT)



	F1	T1	C1	R1
TWO-VOICE:	1/2 A. SLO	PT2022	1000µf	1Ω
FOUR-VOICE:	1 A. SLO	PT2054	2000µf	.5Ω



OBERHEIM ELECTRONICS, INC
- SCHEMATIC -
SYNTHESIZER
POWER SUPPLY
NOV. 11, 1975
REV 5-30-78



SEM-1A ELECTRONICS BOARD

JUMPERS

B1 → D1

B3 → D3

I → H

F → Y

G → J

G⁰ → Z

B → E

A → W

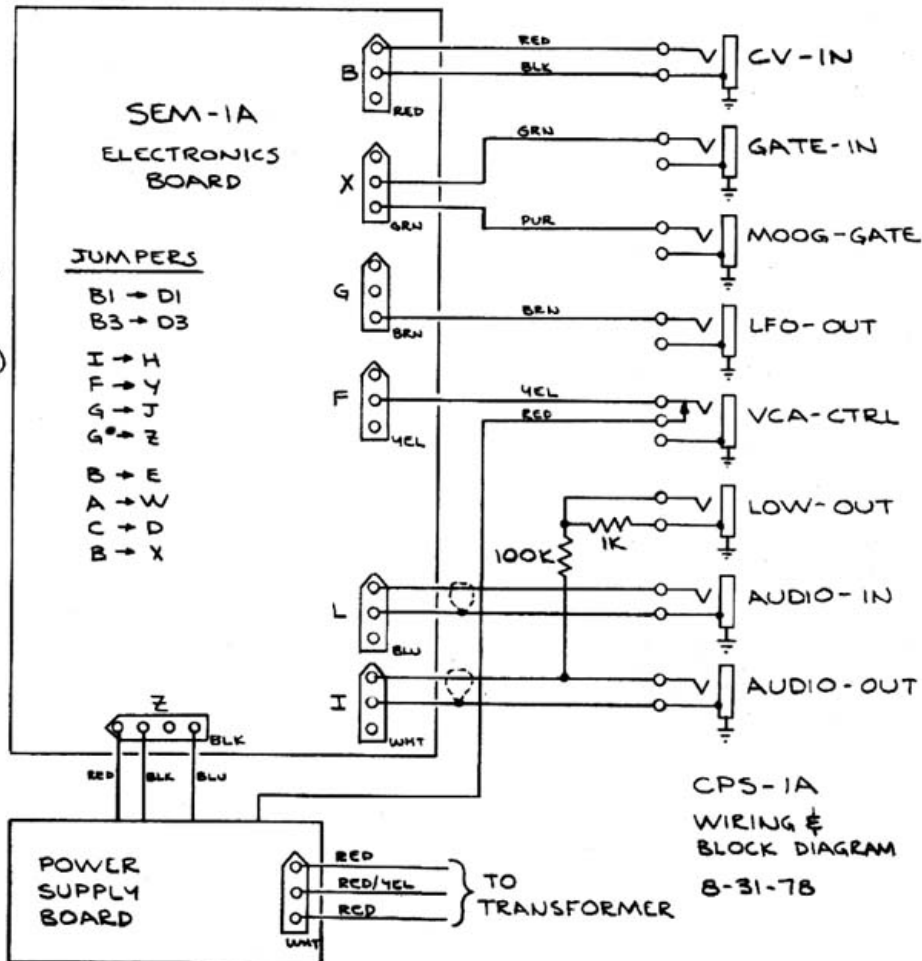
C → D

B → X

CHANGES
TO SEM-1A
ELECTRONICS
BOARD WHEN
USED IN CPS-1A

1) VCA "ON-SW"
RESISTOR (22K)
IS REMOVED.

2) AUDIO-IN
SUMMING
RESISTOR
(R155, 220K)
IS PARALLELED
WITH 47K.



CPS-1A
WIRING &
BLOCK DIAGRAM
8-31-78