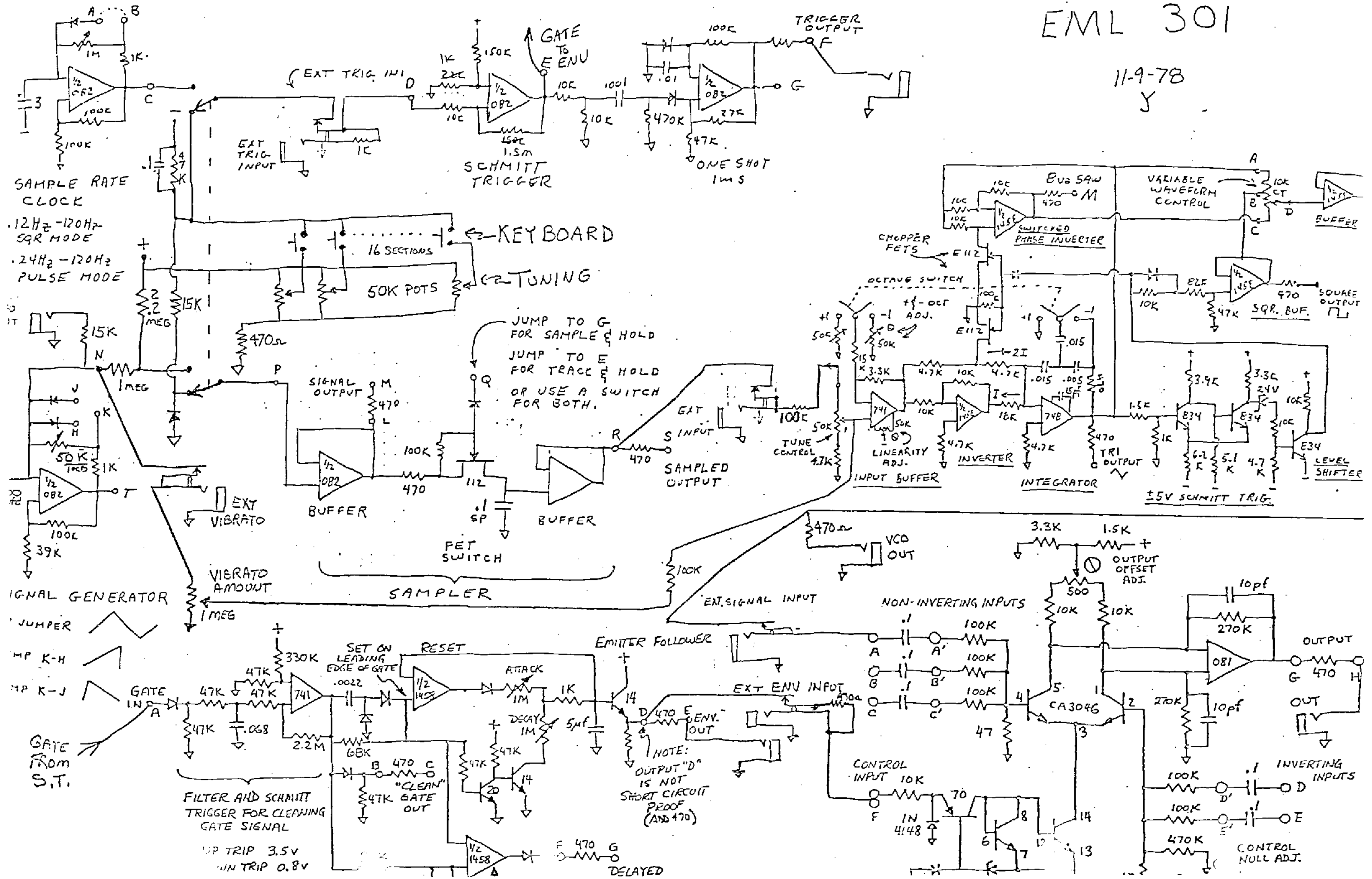


EML 301

11-9-78
Y



SAMPLE RATE CLOCK

12Hz-120Hz SQR MODE
24Hz-120Hz PULSE MODE

SCHMITT TRIGGER

KEYBOARD

TUNING

JUMP TO G FOR SAMPLE & HOLD
JUMP TO E FOR TRACE & HOLD
OR USE A SWITCH FOR BOTH.

SIGNAL OUTPUT

BUFFER

BUFFER

SAMPLED OUTPUT

INPUT BUFFER

INTEGRATOR

±5V SCHMITT TRIG.

LEVEL SHIFTER

SIGNAL GENERATOR

JUMPER

HP K-H

HP K-J

GATE FROM S.T.

FILTER AND SCHMITT TRIGGER FOR CLEANING GATE SIGNAL

HP TRIP 3.5V
LN TRIP 0.8V

SAMPLER

FET SWITCH

EXT. SIGNAL INPUT

EMITTER FOLLOWER

EXT ENV INPUT

NON-INVERTING INPUTS

CONTROL INPUT

INVERTING INPUTS

CONTROL NULL ADJ.

NOTE:
OUTPUT "D" IS NOT SHORT CIRCUIT PROOF (AND 470)

DELAYED